

UKINOX SPECIFICATIONS

MODEL D537

UNDERMOUNT TYPE

GENERAL

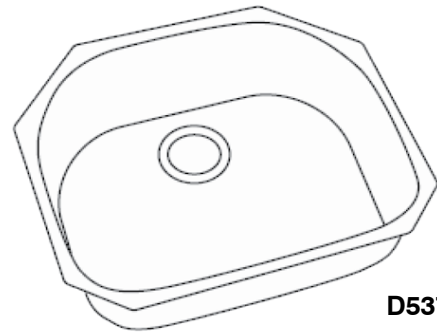
Fine quality sink bowl formed of 18 gauge
Type 304 18/10 nickel bearing stainless steel

DESIGN FEATURES

- Bowl Depth: Available in 10" & 8" deep
- Finish: European Finish
- Underside: Sound absorbing pads and special paint applied to dampen sound
- Drain Opening: 3-1/2"

Sinks include all basket strainers, mounting hardware and template.

PROTECT YOUR SINK! Grids prolong the life of your sink's finish.



D537

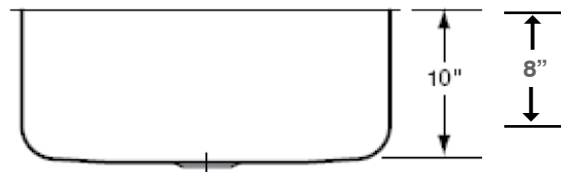
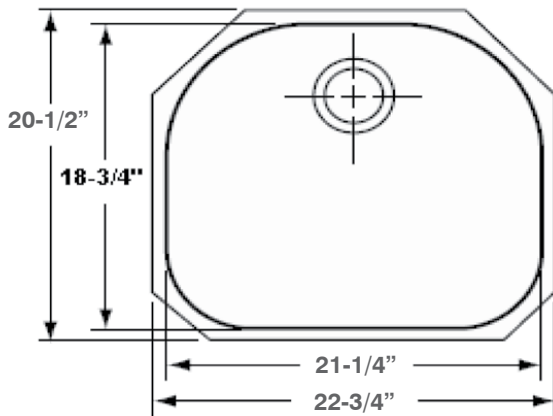
D537.8 (Bowl - 8" deep)

D537.10 (Bowl - 10" deep)

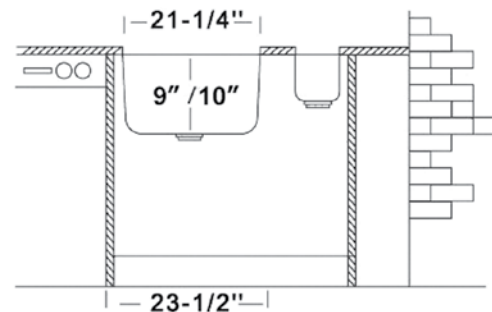
OPTIONAL ACCESSORIES

- GR537SS Stainless Steel Bottom Grid
- RB537SS Stainless Steel Rinsing Basket
- CB537HW Wood Cutting Board

SINK DIMENSIONS (INCHES)



Minimum Cabinet Size 24"
Ship Weight 14 Lbs.



Installer Notes: Ukinox always recommends that you give the sink to the granite fabricator. If you are going to use a cutting board, provide that to the fabricator as well. Please note that we do include a template with each sink, but there can always be a slight variation. In addition, many of our templates are perforated so you can tear off the perforation for cutting board applications.



*Template and countertop mounting clips are packed with every sink

Ukinox reserves the right to change product specifications without notice.